

Select complete assemblies now up to **50% OFF!**

Great Opportunity to upgrade other brands to Genuine Fontaine No-Slack® Fifth Wheels

STANDARD DUTY





6LWB

6PML

5 NEW YEAR WARRANTY

Stamped steel top plate
6000 Series

Standard-duty on-highway
50,000 lbs vertical load
Up to 95,000 lbs GCW

Complete assembly (SL6LWB air slide)

Part Number	Height	Travel
SL6LWB675024	6.75	24

Complete assembly (SL6PML stationary)

Part Number	Height
SL6PML6250	6.25
SL6PML7250	7.25

NO-SLACK

MODERATE DUTY





7LWB

5 NEW YEAR WARRANTY

Cast steel top plate
7000 Series

Moderate-duty maintained asphalt or gravel road
55,000 lbs vertical load
Up to 115,000 lbs GCW

Complete assembly (SL7LWB air slide)

Part Number	Height	Travel
SL7LWB675012	6.75	12
SL7LWB725012	7.25	12
SL7LWB675024	6.75	24
SL7LWB725024	7.25	24
SL7LWB825024	8.25	24
SL7LWB925024	9.25	24

NO-SLACK

HEAVY-DUTY





H7NHDS

H7AWB

5 NEW YEAR WARRANTY

Cast steel top plate
H7 Series

Heavy-duty on/off-highway
70,000 lbs vertical load
Up to 180,000 lbs GCW

Complete assembly (SLH7NHDS No-Tilt air slide)
Complete assembly (SLH7AWB air slide)

Part Number	Height	Travel
SLH7NHDS800024	8.00	24
SLH7AWB875024	8.75	24

NO-SLACK

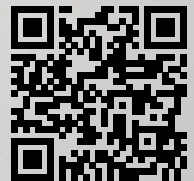
Each complete assembly includes the top plate and mounting bracket.
The assembly bolts to existing outboard angles for a quick, easy conversion.

Now you can run with the best for less.
We make it **EASY** at the Fontaine Conversion Center.
www.fifthwheel.com/convert



www.fifthwheel.com • 800-874-9780 • Email: parts@fifthwheel.com

©2022 Fontaine Fifth Wheel • LT-245 • February 2022 R33



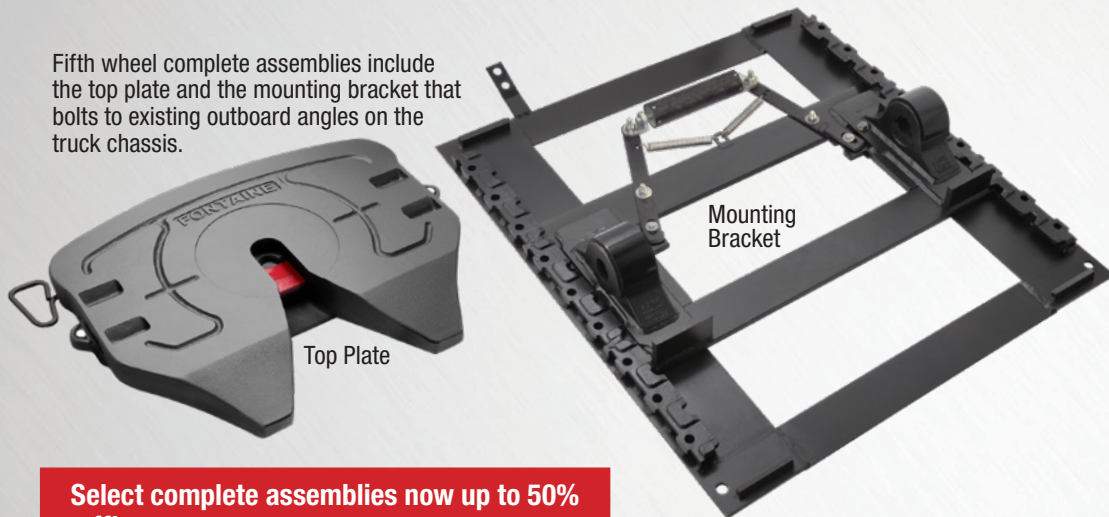
A Marmon |
MARMON Berkshire Hathaway
Company

Get the app @ [FifthWheel.com/app](https://www.fifthwheel.com/app)
FontaineFifthWheel
@FifthWheelParts

Now you can run with the best for less!

- Get a Fontaine No-Slack® COMPLETE ASSEMBLY for about the same price as a top plate
- Great opportunity to upgrade other brands to Genuine Fontaine No-Slack®
- Free freight when replacing competitor complete assembly
- Free freight on all orders over \$2,500 (Continental USA)
- Backed by the Fontaine 5-Year warranty honored coast to coast

Fifth wheel complete assemblies include the top plate and the mounting bracket that bolts to existing outboard angles on the truck chassis.



Select complete assemblies now up to 50% off! Participating Part Number Cross Reference

Fontaine Part Number	Jost	SAF Holland
SL6LWB675024	JSK36NSL-A7PX24	FW17A724XL00
SL6PML6250	JSK36NSL-DB6X	FW17Z600XL00
SL6PML7250	JSK36NSL-DB7X	FW17Z700XL00
SL7LWB675012	JSK37USL-A7PX12	FW35A712XL00
SL7LWB725012	JSK37USL-A8PX12	FW35A812XL00
SL7LWB675024	JSK37USL-A7PX24	FW35A724XL00
SL7LWB725024	JSK37USL-A8PX24	FW35A824XL00
SL7LWB825024	JSK37USL-A9PX24	FW35A924XL00
SL7LWB925024	JSK37USL-A10PX24	FW35A924XL00
SLH7AWB875024	JSK37USL-A9PX24	FW70A924XL00
SLH7NHDS800024	JSK37USLN-A9PX24	FW35N824YL00

Manufacturer names and trademarks such as Holland or Jost are used in this flyer for reference purposes only. All trademarks remain property of their respective owners.

Fontaine now offers a bolt kit to make your installation EASY!

Kit has all the nuts, bolts and washers you need to install a Fontaine mount to the truck chassis. (Includes 20 Grade 8 bolts with matching locknuts and 40 hardened washers)

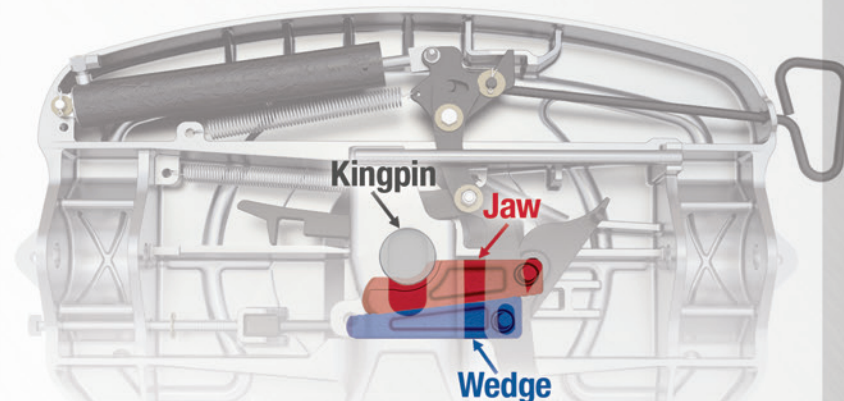
KIT-BOLT-24
Quantity 20



FONTAINE NO-SLACK®

Put the Fontaine No-Slack® advantage to work for you!

Here's how it works: As the KINGPIN moves into the throat of the fifth wheel, the JAW slides into place making contact with the kingpin. Then the WEDGE presses against the jaw to automatically remove any slack between the kingpin and the jaw. Only available from Fontaine!



What No-Slack® means for you

- Superior fifth wheel technology that self-adjusts for kingpin wear to give you a snug, secure connection every time
- Switch from trailer to trailer hassle-free
- Reduces shock inputs into the frame when braking and accelerating
- Extends the life of components and reduces maintenance costs
- Drivers love the smoother ride and the easy-to-pull handle
- The industry's best defense against false coupling

Run with the best for less. We make it EASY at the Fontaine Conversion Center.
www.fifthwheel.com/convert

